

### 10Gbps 1270-1330nm Single-mode 80km CWDM XFP Optical Transceiver CXFP-10GXX-80-xx



#### Features

- Supports 9.95Gb/s to 11.1Gb/s Bit Rates
- Hot-Pluggable XFP Footprint
- Compliant with XFP MSA
- 4-Wavelengths CWDM XFP Transmitter from 1270nm to 1330nm, with Step 20nm
- 23dB power budget at least
- Duplex LC Connector
- Power Dissipation < 2.5W
- 2-Wire Interface for Integrated Digital Diagnostic Monitoring
- Case Operation Temperature Range 0°C to 70°C

#### Applications

- 10GBASE-ZR/ZW 10G Ethernet
- 1200-SM-LL-L 10G Fiber Channel
- 10GE over G.709 at 11.09Gbp

#### Description

Fiberstore's Small Form Factor 10Gb/s (XFP) transceivers are compliant with the current XFP Multi-Source Agreement (MSA) Specification<sup>1</sup>. They comply with 10-Gigabit Ethernet 10GBASE-ER/EW per IEEE 802.3ae and 10G Fiber Channel 70KM. Digital diagnostics functions are available via a 2-wire serial interface, as specified in the XFP MSA. The transceiver is RoHS compliant and lead free per Directive 2002/95/EC3

### Specifications

**Table1 - Absolute Maximum Ratings**

Parameter	Symbol	Min	Typical	Max	Unit	Note
Maximum Supply Voltage	Vcc	-0.5		4.0	V	
Storage Temperature	TS	-40		85	°C	
Case Operating Temperature	TC	0		70	°C	
Maximum Input Power	Pm			-8	dBm	

**Table2-Recommend Operating Condition**

Parameter	Symbol	Min	Typical	Max	Unit	Note
Operating Temperature	TC	0		70	°C	
Supply Voltage	Vcc	3.13	3.3	3.45	V	
Supply Current-Vcc supply	Icc			750	mA	
Module Total Power	P			3.5	W	

**Table3-Electrical Characteristics**

(TC = -5 to 70°C, VCC = 3.15 to 3.45V)

Parameter	Symbol	Min	Typical	Max	Unit	Note	
<b>Transmitter</b>							
Input Differential Impedance	Rin		100		Ω	1	
Differential Data Input Swing	Vin, pp	180		820	mV		
Transmit Disable Voltage	VDIS	2.0		Vcc	V		
Transmit Enable Voltage	VEN	GND		GND+ 0.8	V		
Transmit Disable Assert Time				10	us		
<b>Receiver</b>							
Differential Data Output Swing	Vout, pp	340	650	850	mV		
Data Output Rise Time	tr			38	ps	2	
Data Output Fall Time	tf			38	ps	2	
LOS Fault	VLOS fault	Vcc – 0.5		Vcc HOST	V	3	
LOS Normal	VLOS norm	GND		GND+0.5	V	3	
Power Supply Rejection	PSR	See Note 4 below					4

**Notes:**

1. After internal AC coupling.
2. 20 – 80 %.
3. Loss of Signal is open collector to be pulled up with a 4.7k – 10kohm resistor to 3.15 – 3.6V. Logic 0 indicates normal operation; logic 1 indicates no signal detected.
4. Reference the Section 2.7 of the XFP MSA Rev 4.5.

### Table 4 - Optical Characteristics

(T<sub>OP</sub> = -5 to 70°C, VCC3 = 3.13 to 3.45 Volts)

Parameter	Symbol	Min	Typical	Max	Unit	Note
<b>Transmitter</b>						
Output Opt. Pwr: 9/125 SMF	P <sub>out</sub>	2		4	dBm	1
Optical Extinction Ratio	ER	3.5			dB	
Optical Wavelength	λ	λ <sub>c</sub> -6	λ <sub>c</sub>	λ <sub>c</sub> +7.5	nm	2
-20dB Spectrum Width	Δλ			1	nm	
Side Mode Suppression Ratio	SMSR	32			dB	
Average Launch Power of OFF Transmitter	POFF			-30	dBm	
TX Jitter	TXj	Per 802.3ae requirements				
Relative Intensity Noise	RIN			-135	dB/Hz	
<b>Receiver</b>						
Receiver Sensitivity @ 10.7Gb/s	P <sub>min</sub>			-21	dBm	3
Maximum Input Power	P <sub>max</sub>	-10			dBm	
Optical Center Wavelength	λ	1260		1620	nm	
Receiver Reflectance	R <sub>rf</sub>			-12	dB	
LOS De-Assert	LOSD			-23	dBm	
LOS Assert	LOSA	-35			dBm	
LOS Hysteresis		1			dB	

**Notes:**

1. Output is coupled into a 9/125μm SMF.
2. ITU-T G.694.2 CWDM wavelength from 1270nm to 1610nm, each step 20nm.
3. Average received power; BER less than 1E-12 and PRBS 231-1 test pattern.

### Table 5 - CWDM Wavelength( 0~70 )

Band	Nomenclature	Wavelength(nm)		
		Min.	Typ.	Max.
O-band Original	A	1264	1270	1277.5
	B	1284	1290	1297.5
	C	1304	1310	1317.5
	D	1324	1330	1337.5
	E*	1344	1350	1357.5
E-band Extended	F*	1364	1370	1377.5
	G*	1384	1390	1397.5
	H*	1404	1410	1417.5
	I*	1424	1430	1437.5
	J*	1444	1450	1457.5
S-band Short Wavelength	K*	1464	1470	1477.5
	L	1484	1490	1497.5
	M	1504	1510	1517.5

	N	1524	1530	1537.5
C-band Conventional	O	1544	1550	1557.5
L-band Long Wavelength	P	1564	1570	1577.5
	Q	1584	1590	1597.5
	R	1604	1610	1617.5

**Table 6 -Regulatory Compliance**

Feature	Standard	Performance
Electrostatic Discharge (ESD) to the Electrical Pins	MIL-STD-883G Method 3015.7	Class 1C (>1000 V)
Electrostatic Discharge to the Enclosure	EN 55024:1998+A1+A2 IEC-61000-4-2 GR-1089-CORE	Compliant with standards
Electromagnetic Interference (EMI)	FCC Part 15 Class B EN55022: 2006 CISPR 22B: 2006 VCCI Class B	Compliant with standards Noise frequency range: 30MHz to 6GHz. Good system EMI design practice required to achieve Class B margins. System margins are dependent on customer host board and chassis design.
Immunity	EN 55024:1998+A1+A2 IEC 61000-4-3	Compliant with standards. 1KHz sine-wave, 80% AM, from 80MHz to 1GHz. No effect on transmitter/receiver performance is detectable between these limits.
Laser Eye Safety	FDA 21CFR 1040.10 and 1040.11 EN (IEC) 60825-1: 2007 EN (IEC) 60825-2: 2004+A1	CDRH compliant and Class I laser product. TüV Certificate No. 50135086
Component Recognition	UL and CUL EN60950-1: 2006	UL file E317337 TüV Certificate No. 50135086 (CB scheme )
RoHS6	2002/95/EC 4.1&4.2 2005/747/EC 5&7&13	Compliant with standards*note3

Note2: For update of the equipments and strict control of raw materials, fiberstore has the ability to supply the customized products since Jan 1st, 2007, which meet the requirements of RoHS6 (Restrictions on use of certain Hazardous Substances) of European Union.

In light of item 5 in RoHS exemption list of RoHS Directive 2002/95/EC, Item 5: Lead in glass of cathode ray tubes, electronic components and fluorescent tubes.

In light of item 13 in RoHS exemption list of RoHS Directive 2005/747/EC, Item 13: Lead and cadmium in optical and filter glass. The three exemptions are being concerned for fiberstore's transceivers, because fiberstore's transceivers use glass, which may contain Pb, for components such as lenses, solators, and other components.

**Table 7 – Pin Descriptions**

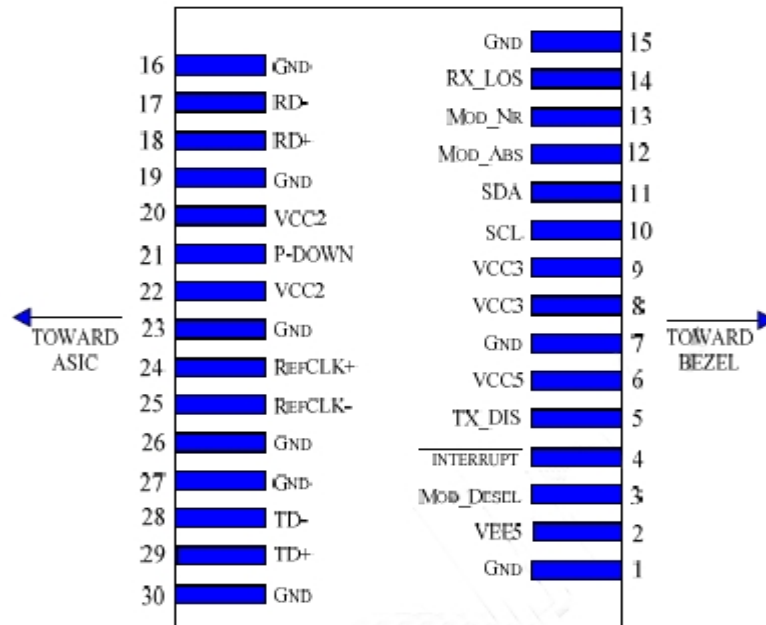
Pin	Logic	Symbol	Name/Description	Notes
1		GND	Module Ground	1
2		VEE5	Optional –5.2 Power Supply – Not Required	
3	LVTTTL-I	Mod-Desel	Module De-select; When held low allows the module to respond to 2-wire serial interface commands	
4	LVTTTL-O	/Interrupt	/Interrupt; Indicates presence of an important condition which can be read over the serial 2-wire interface	2
5	LVTTTL-I	TX_DIS	Transmitter Disable; Transmitter laser source turned off	
6		VCC5	+5 Power Supply - Not Required	
7		GND	Module Ground	1
8		VCC3	+3.3V Power Supply	
9		VCC3	+3.3V Power Supply	
10	LVTTTL-I	SCL	Serial 2-wire interface clock	2
11	LVTTTLI/O	SDA	Serial 2-wire interface data line	2
12	LVTTTL-O	Mod_Abs	Module Absent; Indicates module is not present. Grounded in the module.	2
13	LVTTTL-O	Mod_NR	Module Not Ready;	2
14	LVTTTL-O	RX_LOS	Receiver Loss of Signal indicator	2
15		GND	Module Ground	1
16		GND	Module Ground	1
17	CML-O	RD-	Receiver inverted data output	
18	CML-O	RD+	Receiver non-inverted data output	
19		GND	Module Ground	1
20		VCC2	+1.8V Power Supply – Not required	
21	LVTTTL-I	P_Down/RST	Power Down; When high, places the module in the low power stand-by mode and on the falling edge of P_Down initiates a module reset	
			Reset; The falling edge initiates a complete reset of the module including the 2-wire serial interface, equivalent to a power cycle.	
22		VCC2	+1.8V Power Supply – Not required	
23		GND	Module Ground	1
24	PECL-I	Ref CLK+	Reference Clock non-inverted input, AC coupled	3

			on the host board – Not required	
25	PECL-I	Ref CLK	Reference Clock inverted input, AC coupled on the host board – Not required	3
26		GND	Module Ground	1
27		GND	Module Ground	1
28	CML-I	TD-	Transmitter inverted data input	
29	CML-I	TD+	Transmitter non-inverted data input	
30		GND	Module Ground	1

**Notes:**

1. Module circuit ground is isolated from module chassis ground within the module.
2. Open connect should be pulled up with 4.7k – 10k ohm on host board to a voltage between 3.15V and 3.6V.
3. A Reference Clock input is not required.

### Host Board Connector Pin Out



**Diagram of Host Board Connector Block Pin Numbers and Name**

### General Specifications

Parameter	Symbol	Min	Typical	Max	Unit	Note
Bit Rate	BR	9.95		11.1	Gb/s	
Bit Error Ratio	BER			10-12		1

1. Tested 9.95G with 231 – 1 PRBS pattern.

### Digital Diagnostic Functions

FiberStore’s Small Form Factor 10Gbps (XFP) transceiver is compliant with the current XFP Multi-Source Agreement (MSA) Specification Rev 4.5.

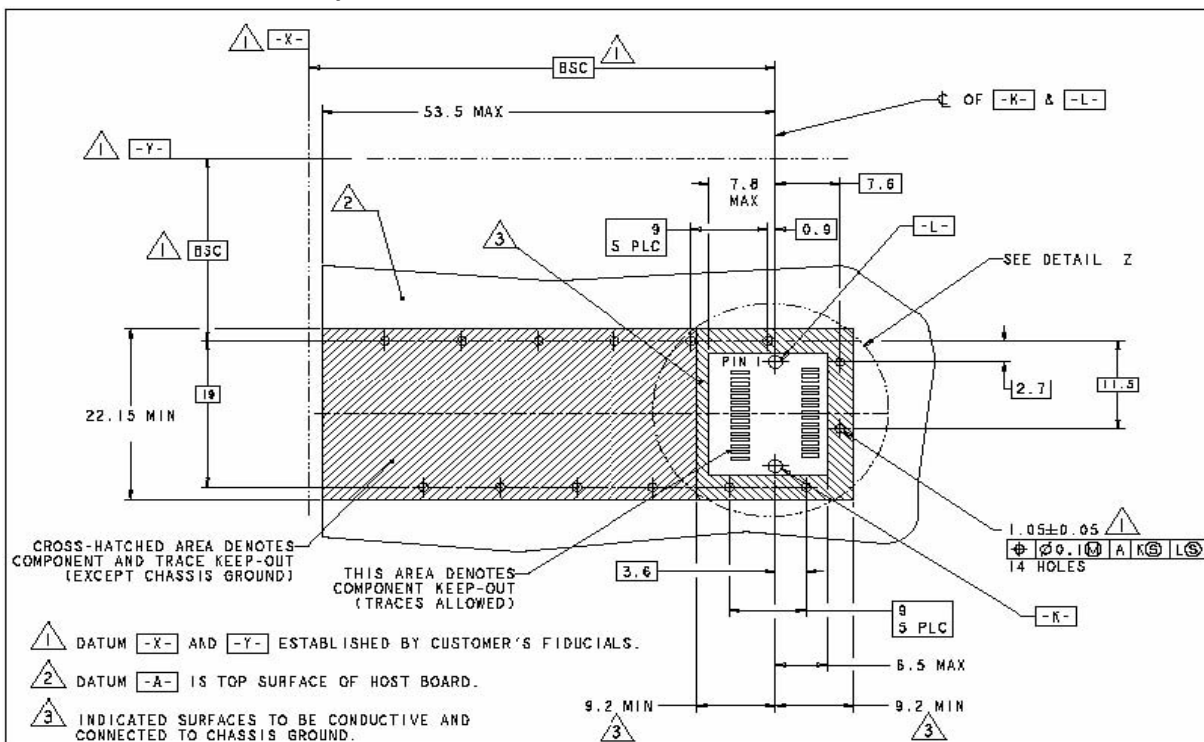
As defined by the XFP MSA, FiberStore XFP transceivers provide digital diagnostic functions via a 2-wire serial interface, which allows real-time access to the following operating parameters:

- A Transceiver temperature
- B Laser bias current
- C Transmitted optical power
- D Received optical power
- E Aux Monitoring

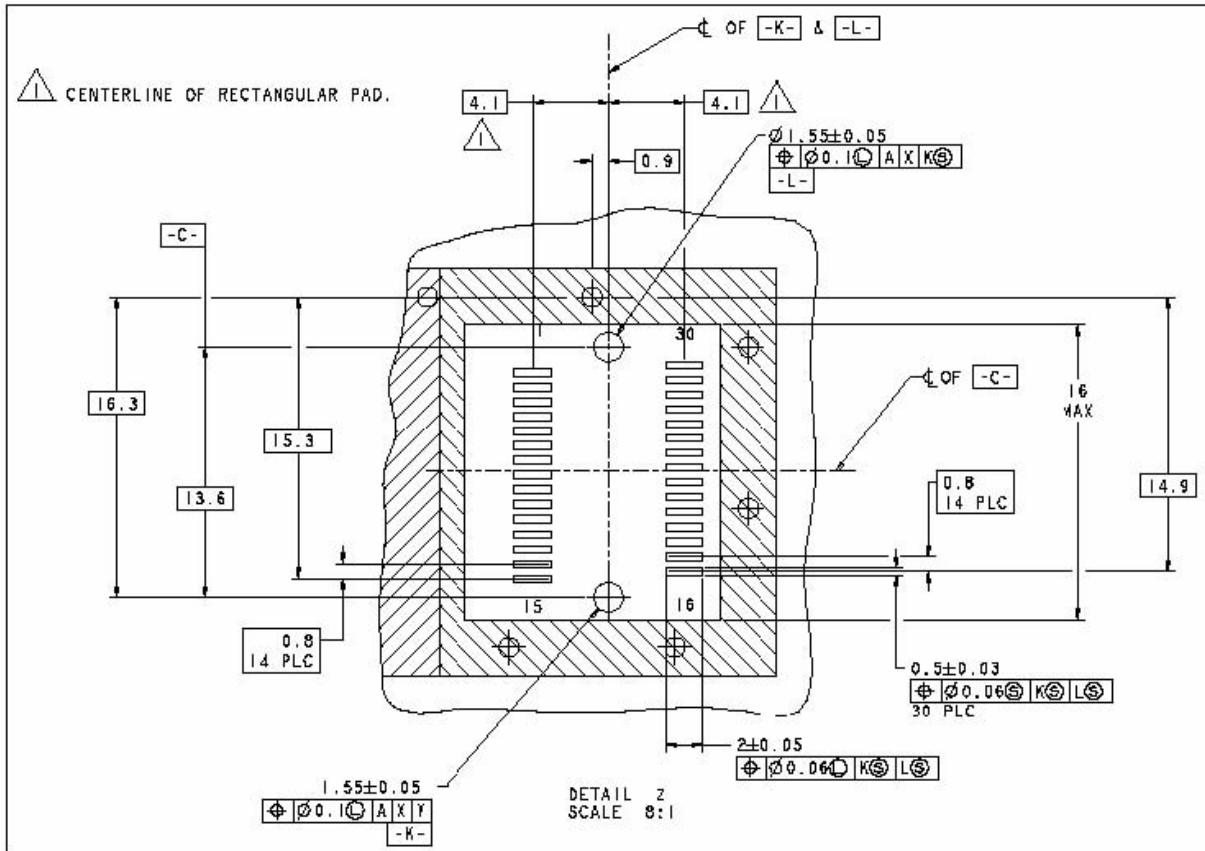
It also provides a sophisticated system of alarm and warning flags, which may be used to alert end-users when particular operating parameters are outside of a factory-set normal range.

The operating and diagnostics information is monitored and reported by a Digital Diagnostics Transceiver Controller inside the transceiver, which is accessed through the 2-wire serial interface. The serial data signal (SDA pin) is bi-directional for serial data transfer. The host uses SDA in conjunction with SCL to mark the start and end of serial protocol activation. The memories are organized as a series of 8-bit data words that can be addressed individually or sequentially. The 2-wire serial interface provides sequential or random access to the 8 bit parameters, addressed from 00h to the maximum address of the memory.

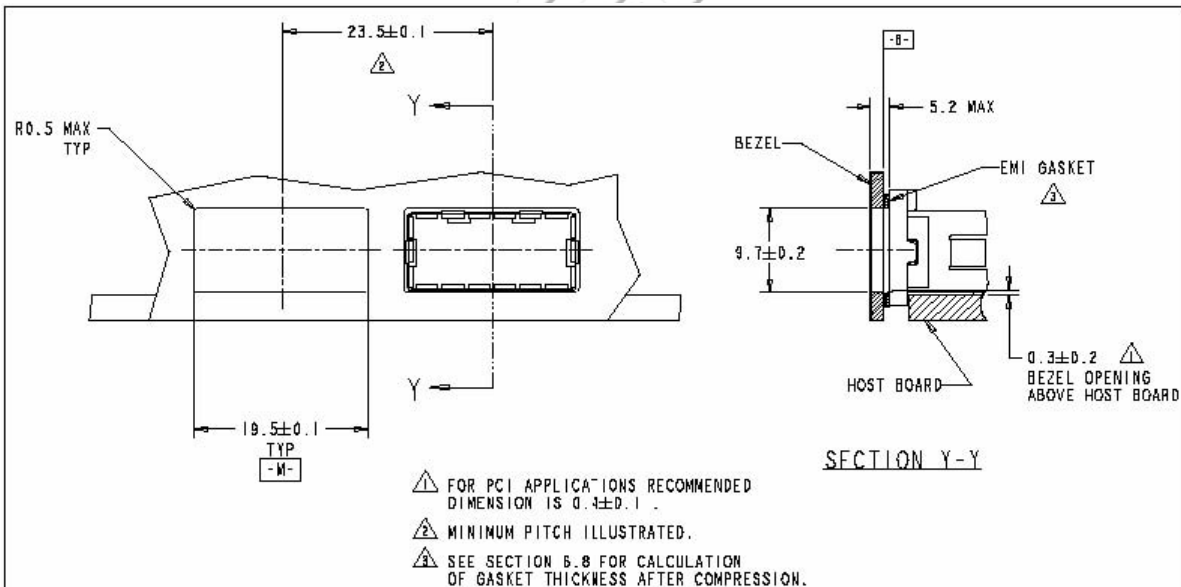
### PCB Layout and Bezel Recommendations



XFP Host Board Mechanical Layout (dimensions are in mm)



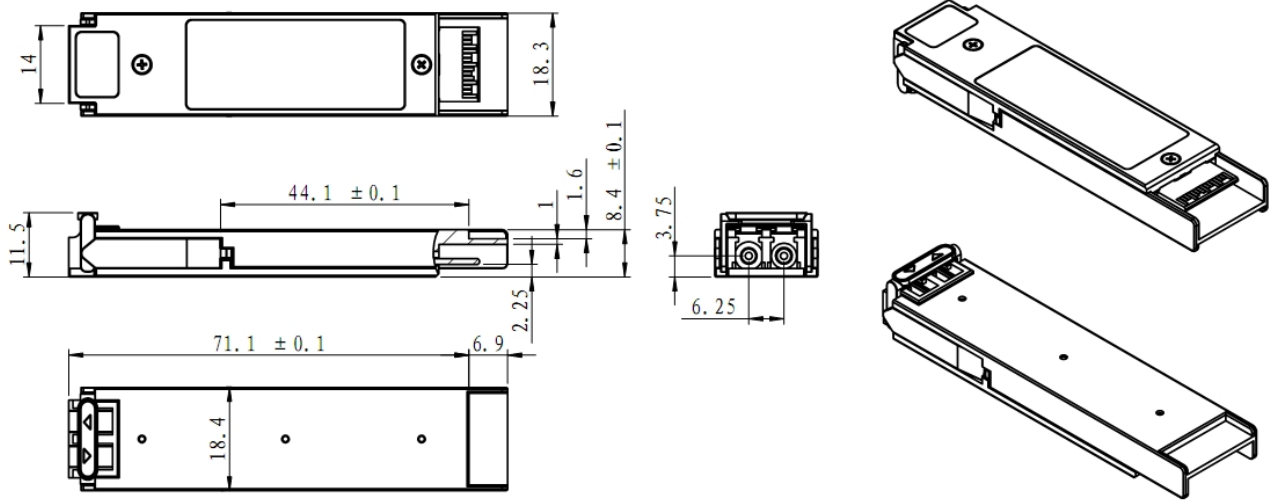
XFP Detail Host Board Mechanical Layout (dimensions are in mm)





### Mechanical Specifications

Fiberstore's XFP transceivers are compliant with the dimensions defined by the XFP Multi-Sourcing Agreement (MSA).



### Ordering Information

Part No.	Data Rate (Gbps)	Wavelength (nm)	Connector Type	Transmission Distance (km)	Operating case temperature (°C)	Digital Diagnostics
CXFP-10GXX-80-xx	10	1270 ~ 1330	LC	80	0 to +70	Yes

#### Notes:

(XX means CWDM wavelength (27 = 1270nm, 29 = 1290nm, 31 = 1310nm, 35 = 1350nm, etc., in 20nm increments)

(xx means compatible brand. (For example: CO= Cisco, JU=Juniper, FD=Foundry, EX=Extreme, NE=Netgear,etc.)

#### FiberStore U.S.

X205 4181 129th Place SE, Bellevue  
98006, WA,  
United States  
Tel: +1 (206) 453 0158  
Fax: +1 (425) 505 2761

#### FiberStore Hong Kong

1220 Tung Chun Commercial Centre,  
438-444 Shanghai Street, Kowloon,  
HongKong  
Tel: (852) 8120 3582  
Fax: (852) 8120 3582

#### FiberStore China

5D Intelligent Tower,  
Fumin Road Futian,  
Shenzhen 518045, GuangDong,  
China  
Tel: +86 (755) 8300 3611  
Fax: +86 (755) 8326 9395

Addresses, phone number and fax number also have been listed at [www.fiberstore.com](http://www.fiberstore.com). Please e-mail us at [sales@fiberstore.com](mailto:sales@fiberstore.com) or call us for assistance.

All statements, technical information, and recommendations related to the products herein are based upon information believed to be reliable or accurate. However, the accuracy or completeness thereof is not guaranteed, and no responsibility is assumed for any inaccuracies. Please contact FiberStore for more information.